



**Franklin
Industries**

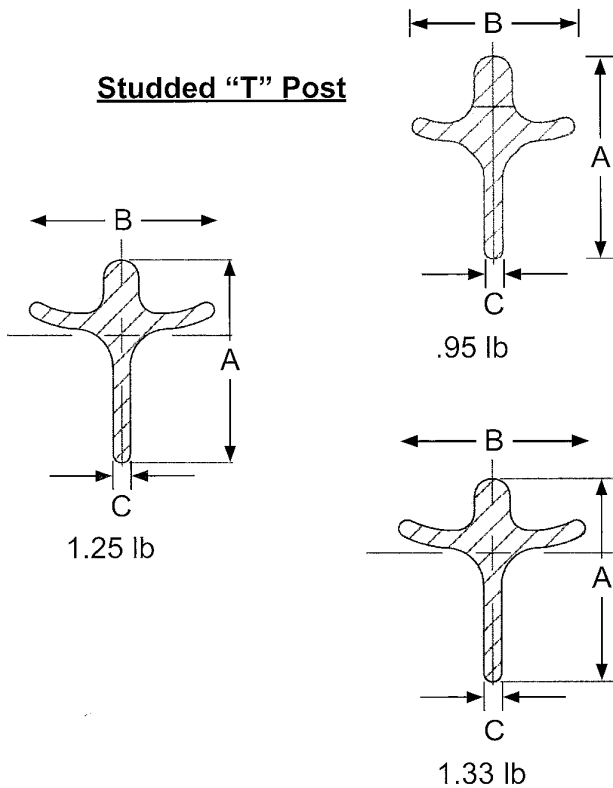
Fence Post Systems



Specifications

Franklin Industries Co.'s Famous Gold Crown and Green/Light Grey Fence Posts are made from High-Strength Rail Steel and coated with high quality enamel paints to last years longer than other posts in the field. Even unfinished posts, used in silt fences, orchards, and vineyards, benefit from rail steel's inherent weathering resistance. For posts that will last for decades, hot dip galvanizing is also available.

Studded "T" Post



Material: Posts are produced from standard "T" rails weighing 91 lbs/yd or more according to ASTM A499, Grade 60; or ASTM A702 (1.33 lbs/ft only).

Finish: Posts are either painted with baked green enamel, hot dip galvanized per ASTM A123, or unfinished.

Studded "T" Posts: The weight of each post is 0.95, 1.25 or 1.33 lbs/ft. Studs are spaced uniformly along the length of the "T" shaped post.

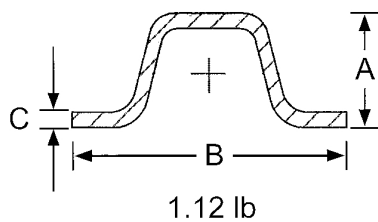
Self-Fastening "U" Posts: The weight is 1.12 lbs/ft. Lugs and holes are punched for easy wire attachment along the length of the "U" shaped post.

Anchor Plates: Standard on 1.25 and 1.33 lbs/ft Studded "T" Posts, securely swaged on the studs, and on 1.12 Self Fastening "U" Posts attached with rivets.

Wire Fasteners: Five pre-formed wire fasteners are included with each painted "T" post. Fasteners are not required with "U" Posts.

Bundling: Painted posts are banded in 5 piece subbundles in 200 piece master bundles, on blocking.

Self Fastening "U" Post



Studded "T" Post Properties

Weight Lbs/ft	Dimensions (Nominal)			Area Inch ²
	"A"	"B"	"C"	
0.95	1.465	1.125	0.125	0.279
1.25	1.625	1.375	0.125	0.368
1.33	1.635	1.375	0.130	0.391

Self Fastening "U" Post Properties

Weight	Dimensions (Nominal)			Area
	"A"	"B"	"C"	
1.12	0.841	2.037	0.112	0.329